

## Service Trolleys

### 8GN1/1 Container Trolley with Top

ITEM # \_\_\_\_\_

MODEL # \_\_\_\_\_

NAME # \_\_\_\_\_

SIS # \_\_\_\_\_

AIA # \_\_\_\_\_



361254 (SCBT81)

8 1/1 GN container trolley with top, 75 mm pitch

### Short Form Specification

Item No. \_\_\_\_\_

Constructed in 304 AISI stainless steel. Framework in square 25x25mm tubing, completely welded. Fitted with worktop. The C-shaped "non-tip" runners, with upturn at each end, can accommodate GN containers 1/1, 1/2 and 1/3. N. 4 swivelling castors, two with brakes, mm125 in diameter, fitted with plastic bumpers.

### Main Features

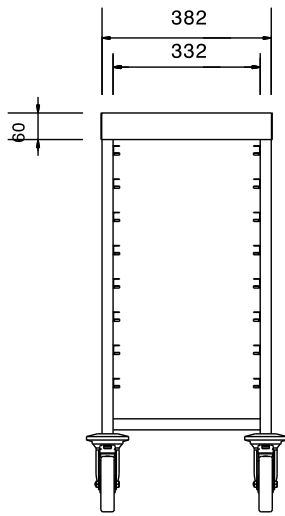
- Framework in square 25x25 mm tubing, completely welded.
- Equipped with C-shaped "non-tip" runners, with upturn at each end.
- Accommodates 1/1 GN containers.
- 4 pivoting Ø 125 mm wheels, 2 of which with brakes, fitted with plastic bumpers
- Fitted with worktop.

### Construction

- Constructed entirely in 304 AISI stainless steel.

APPROVAL: \_\_\_\_\_

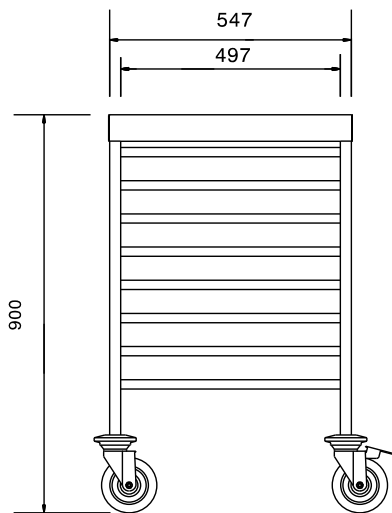
**Front**



**Key Information:**

|                              |         |
|------------------------------|---------|
| External dimensions, Width:  |         |
| <b>361254 (SCBT81)</b>       | 452 mm  |
| External dimensions, Depth:  | 657 mm  |
| External dimensions, Height: | 900 mm  |
| Net weight:                  | 13.6 kg |

**Side**



**Top**

